

Overview

The ERSI-485 is a ceiling mounted EnOcean-to-serial gateway that gives a host controller or system access to the world of EnOcean based wireless products.

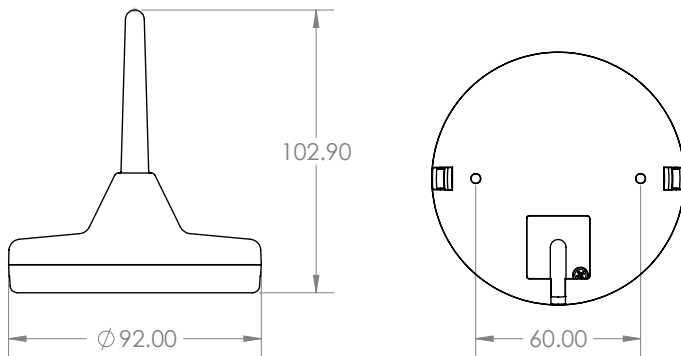
The ERSI-485 communicates with the host using EnOcean Serial Protocol V3 (ESP3) which is freely accessible and available on EnOcean's website.

A 1 meter long cable with RJ45 jack is used for both power input and providing the host a serial communications port. The host serial communications port uses full-duplex RS485/RS422 signaling for the link.

This configuration permits the use of off-the-shelf CAT-5 cables for the interface cable between the ERSI-485 and the host system. The RS485 signaling allows for extended length cabling and gives the installer the flexibility to place the ERSI-485 in locations with optimal wireless coverage.



Dimensional Drawings



Agency Listing & Compliance

Remote Control Transmitter (902MHz)

FCC Part 15.231 -

IC RSS-210

Japanese Type Approval (928 MHz)

ARIB STD-T108



Specifications are subject to change without notification.
Document 8DC-0769 | Revision 1.1

Ordering Information

Description	Model
Echoflex RS-485 Serial Interface, Full Duplex - 902 MHz	ERSI-485-UW
Echoflex RS-485 Serial Interface, Full Duplex - 868 MHz	ERSI-485-YW
Echoflex RS-485 Serial Interface, Full Duplex - 928 MHz	ERSI-485-JW

Hardware Specifications

Power Supply	9 - 24 VDC (via CAT-5 cable)
Current Draw	70 mA

Communications

Radio Frequency	902 MHz or 868 MHz or 928 MHz
Antenna	Integrated whip
Transmission Range	24m (80ft) -commercial office space (typical), up to 100m (330 ft) line of sight
Serial Interface	RJ45
Bit-rate of host communication port	57600 bps - nominal
Outputs	3 Diagnostic LEDs (Power -Red, TX-Green , RX- Yellow) Not visible during normal operation

Mechanical Specifications

Operating Temp.	-10°C to 45°C (14°F to 113°F)
Relative Humidity	5% to 95% RH (non-condensing)
Mounting	Screws or double sided tape (not supplied)
Weight	126 g (4.4 oz)
Dimensions	102.9 x 92 x 92 mm (4.1 x 3.6 x 3.6")



Echoflex Solutions, Inc.

#1, 38924 Queens Way | Squamish | BC | Canada | V8B 0K8

Toll Free: 888-324-6359 | Phone: (778) 733-0111 | Fax: (604) 815-0078

Email: info@echoflexsolutions.com | www.echoflexsolutions.com

